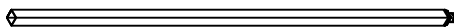
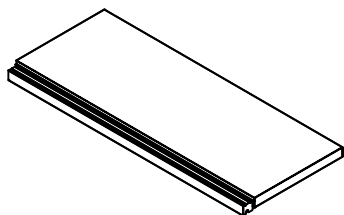


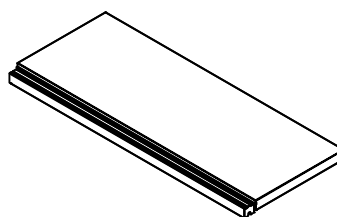
AX2



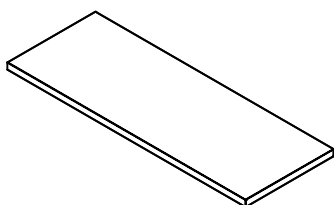
BX2



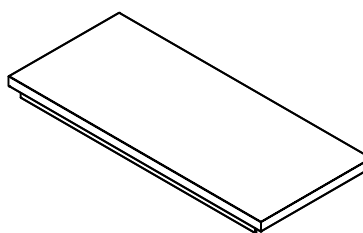
CX1



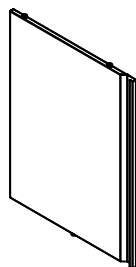
DX1



EX2



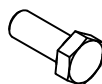
FX1



GX4



HX10



IX4



JX16



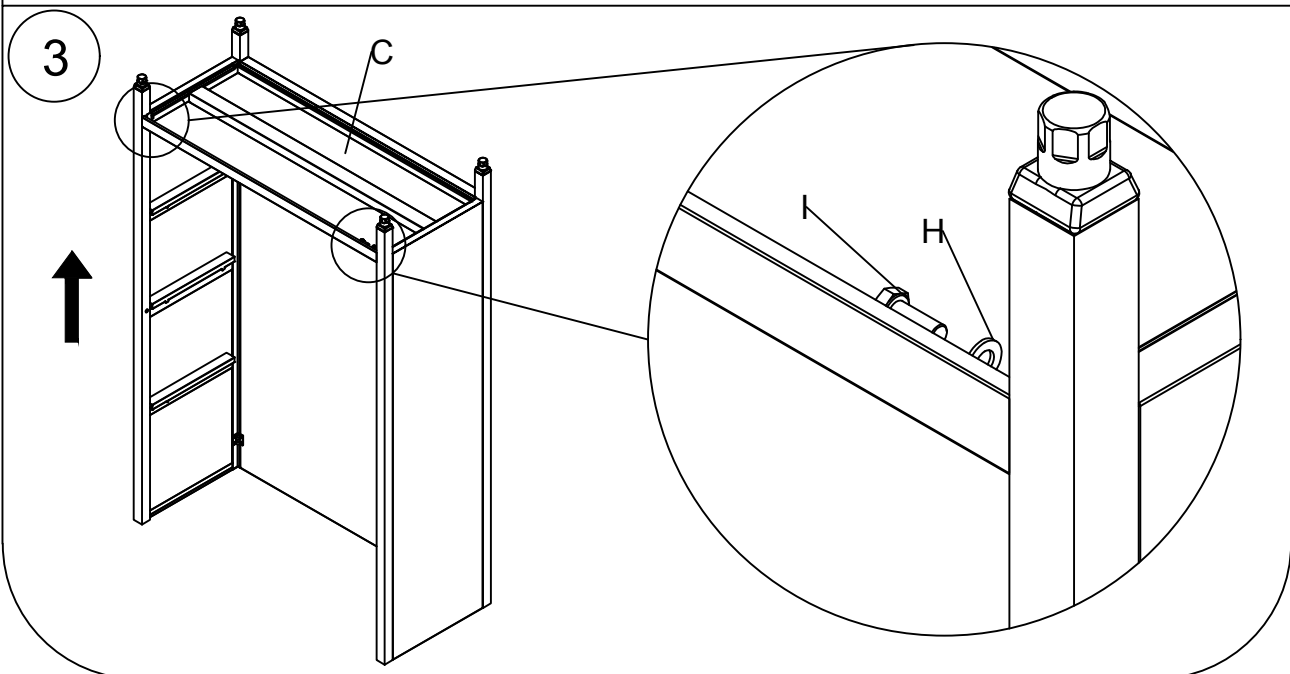
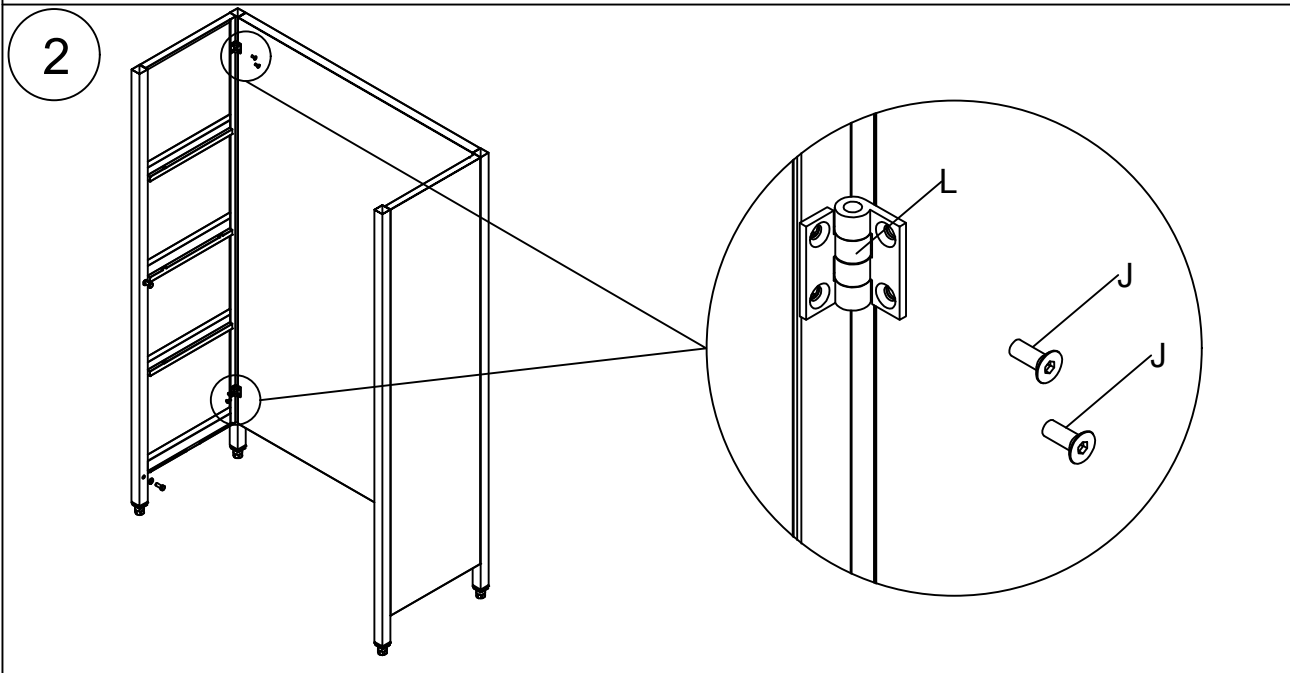
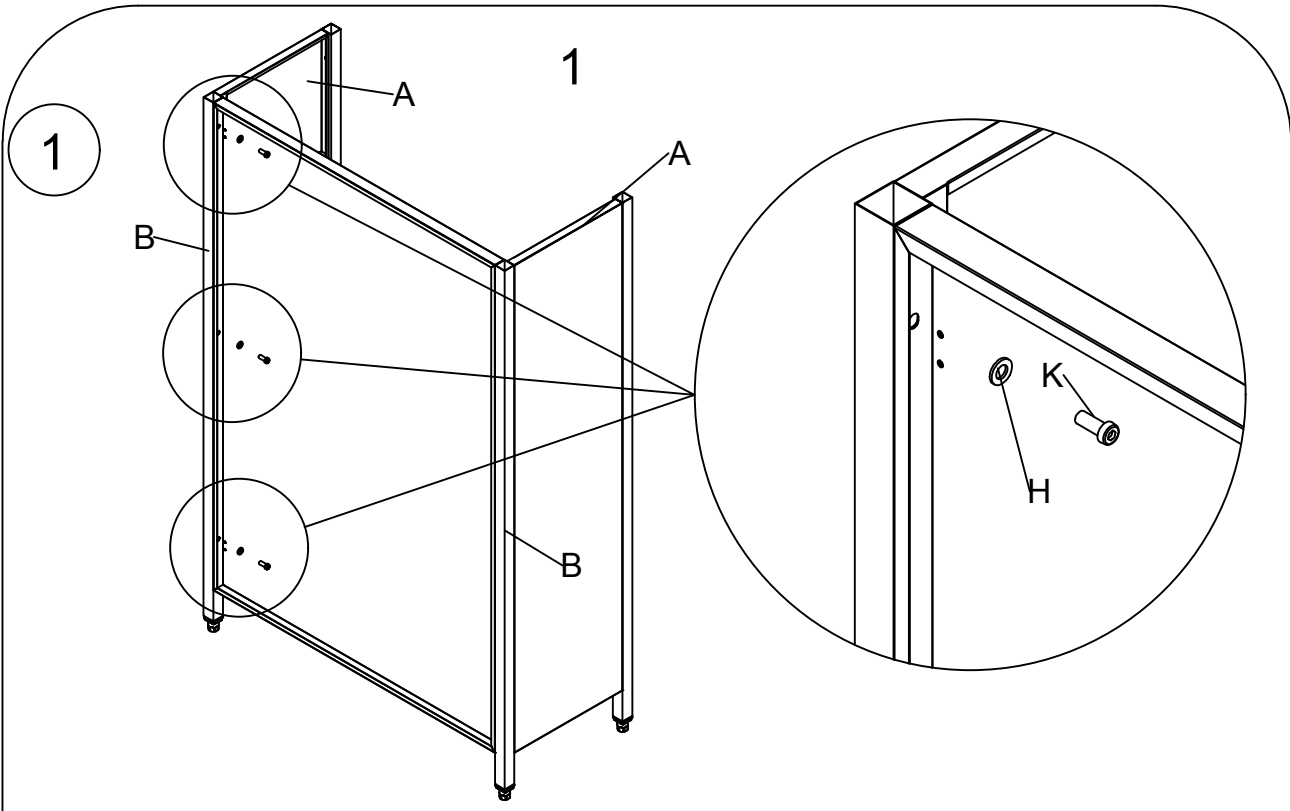
KX6



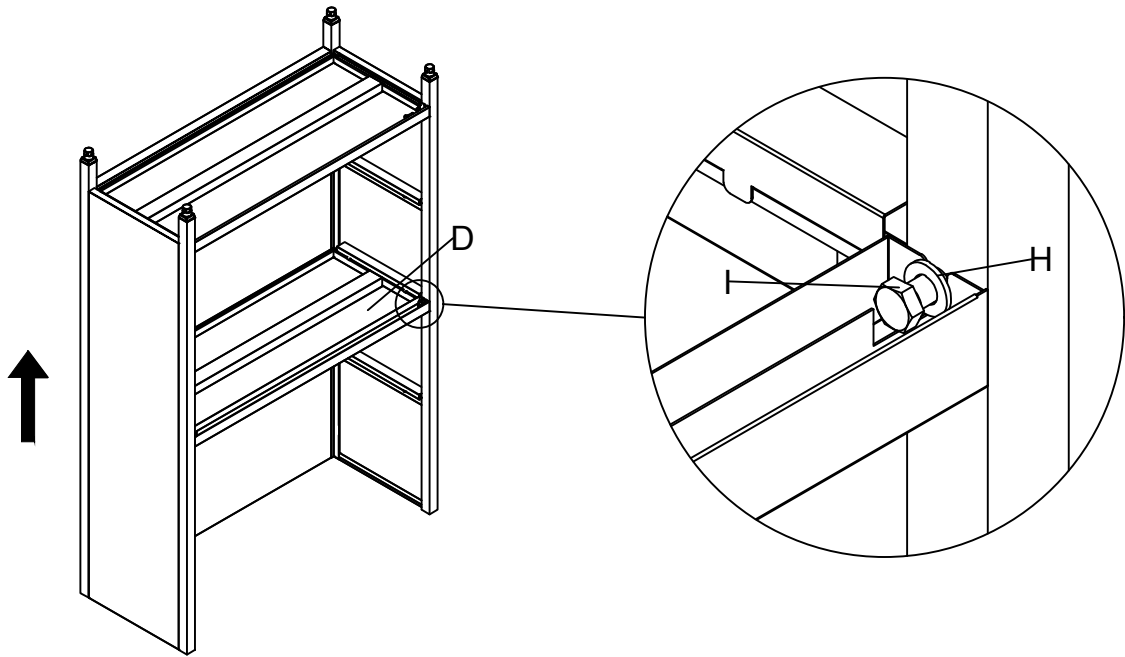
LX4



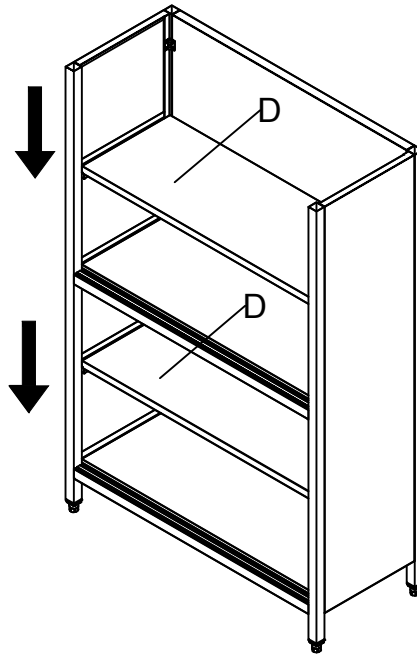
IX1



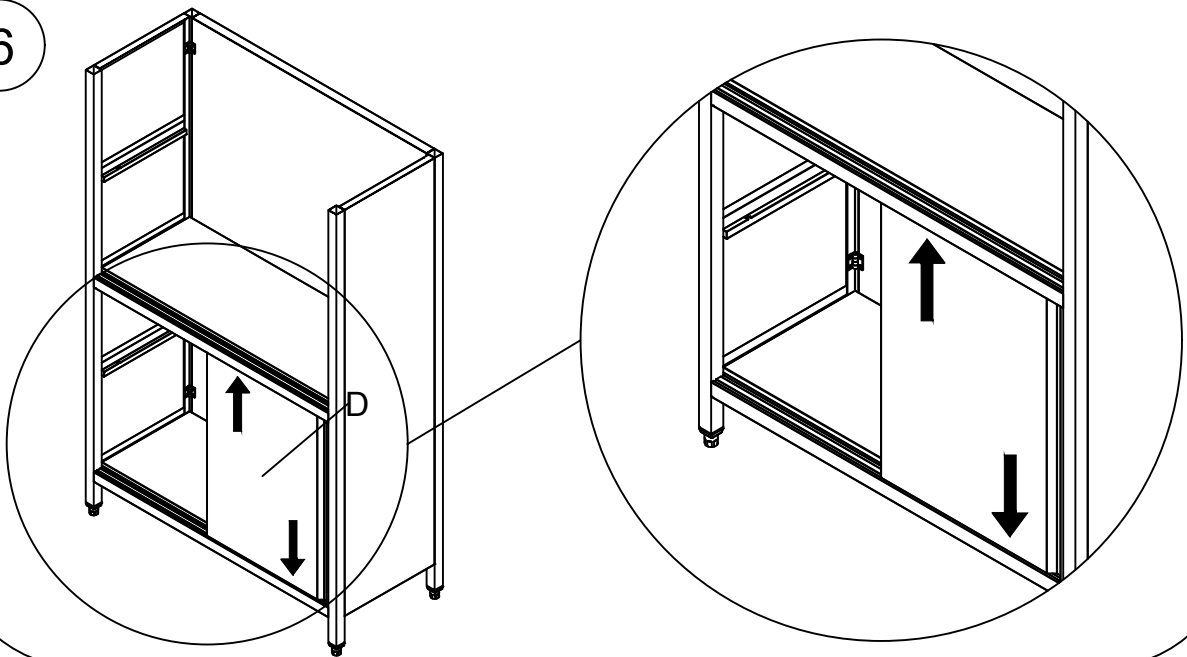
4



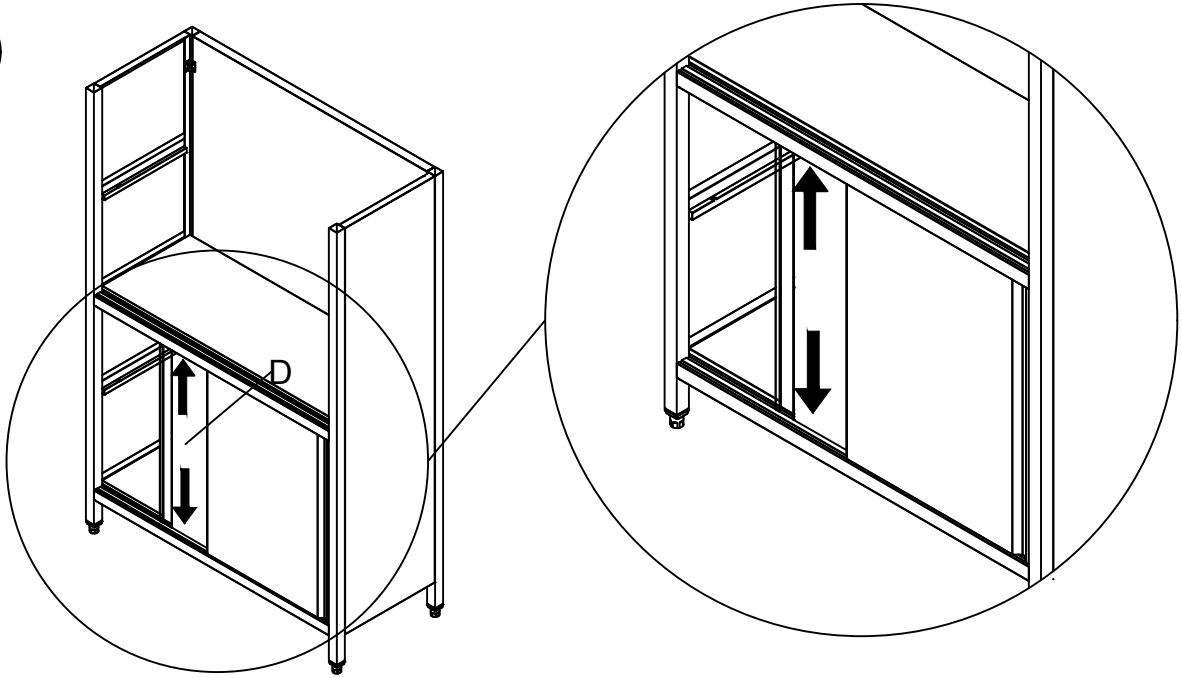
5



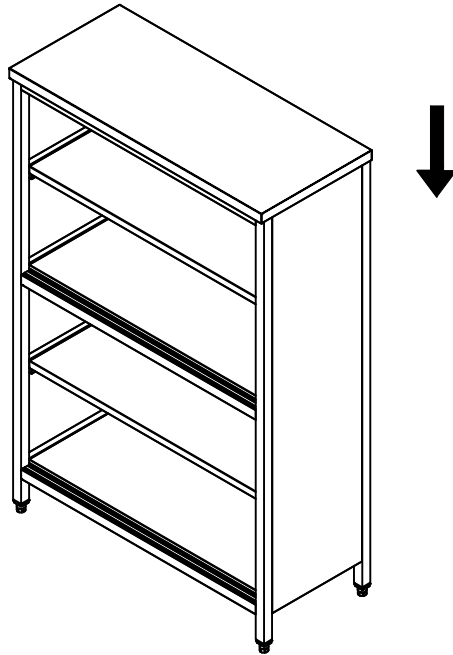
6



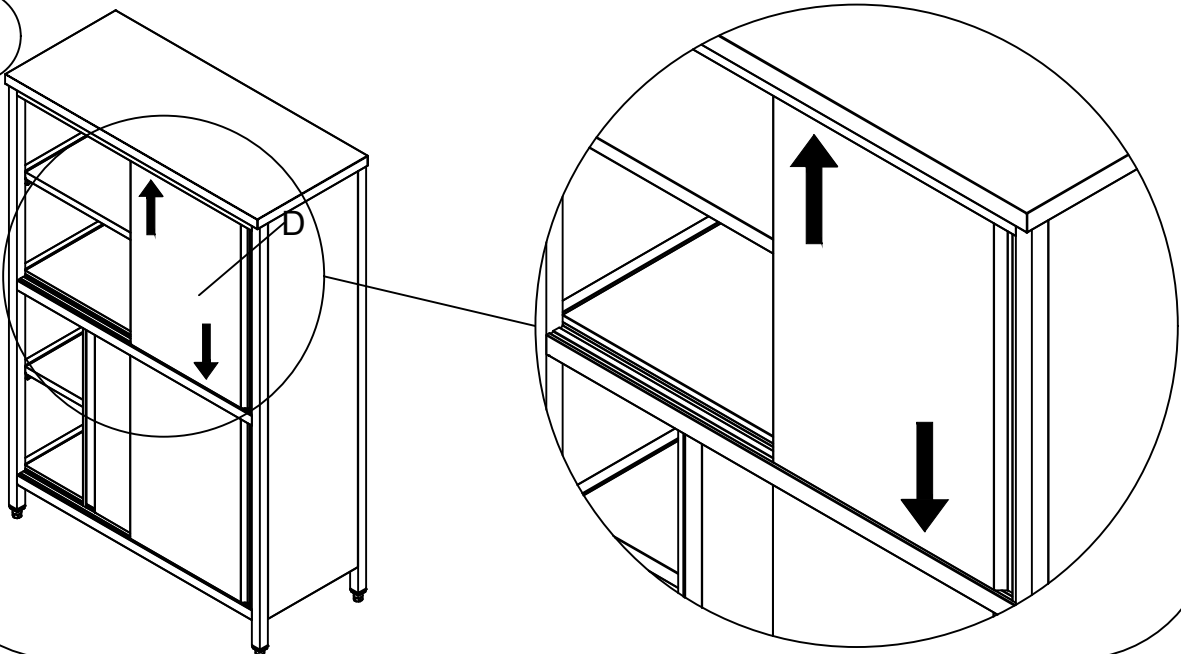
7



8



9



10

